

# CEILING MOUNTS VT CEILING HANGERS



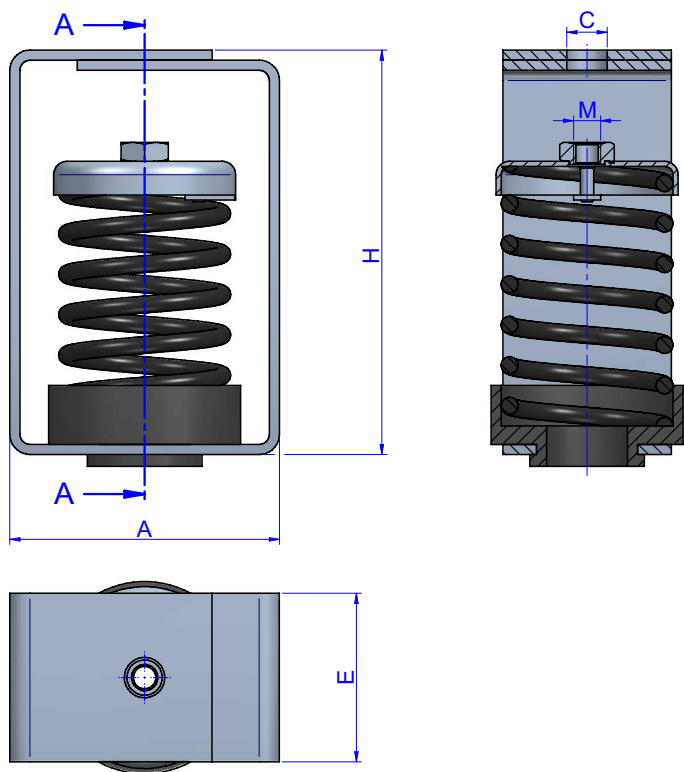
AMC-MECANOCAUCHO® VT Hangers range is a range designed for suspension of acoustic ceilings and machinery that requires a very high isolation level.

These hangers are made of a high mechanical performance spring and incorporate a rubber bush conceived to avoid the acoustic bridges and the contact of a non aligned screw.

The metallic structure is very robust and it is supplied with an anti-corrosive zinc-plated coat.



## DRAWINGS

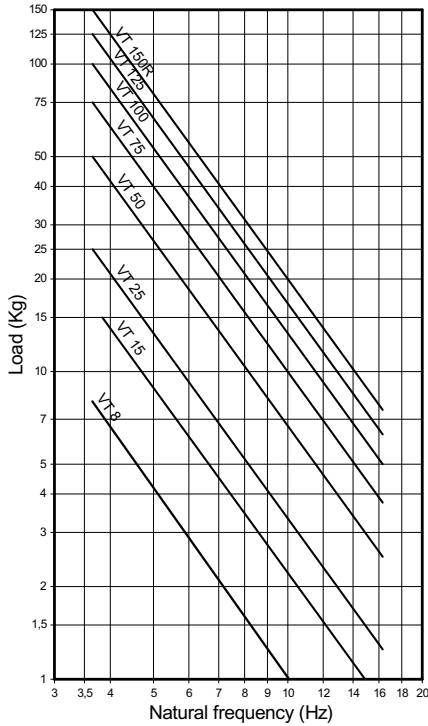


## DIMENSIONS

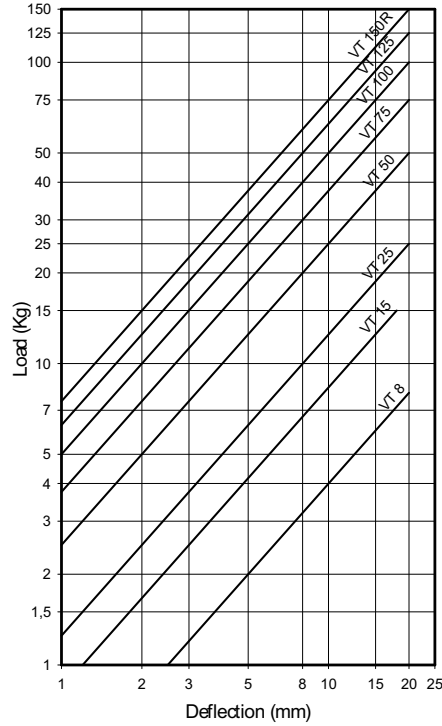
Type	MAX PERMANENT LOAD (kg)	Spring color	A (mm)	C (mm)	E (mm)	H (mm)	M	Weight (kg)	Code
VT 8	8	BLACK	80	12	50	120	M-8	0,6	20199
							M-10	0,6	21399
VT 15	15	BLACK	80	12	50	120	M-8	0,8	20200
							M-10	0,8	21400
VT 25	25	BLACK	80	12	50	120	M-8	0,8	20201
							M-10	0,8	21401
VT 50	50	BLUE	80	12	50	120	M-8	0,8	20202
							M-10	0,8	21402
VT 75	75	GREY	80	12	50	120	M-8	0,8	20203
							M-10	0,8	21403
VT 150R	150	BLACK	80	12	50	120	M-8	0,8	20224
							M-10	0,8	21406
VT 100	100	BEIGE	80	12	50	120	M-8	0,8	20204
							M-10	0,8	21404
VT 125	125	WHITE	80	12	50	120	M-8	0,8	20211
							M-10	0,8	21405
VT 150	150	BLUE	120	16	80	160	M-12	2,035	20205
VT 200	200	WHITE	120	16	80	160	M-12	2,072	20210
VT 250	250	BLACK	120	16	80	160	M-12	2,148	20206
VT 350	350	CREAM	120	16	80	160	M-12	2,33	20207
VT 500	500	LIGHT GREY	140	18	100	180	M-14	4,785	20208
VT 750	750	GREEN	140	18	100	180	M-14	5,249	20209

Elastical properties

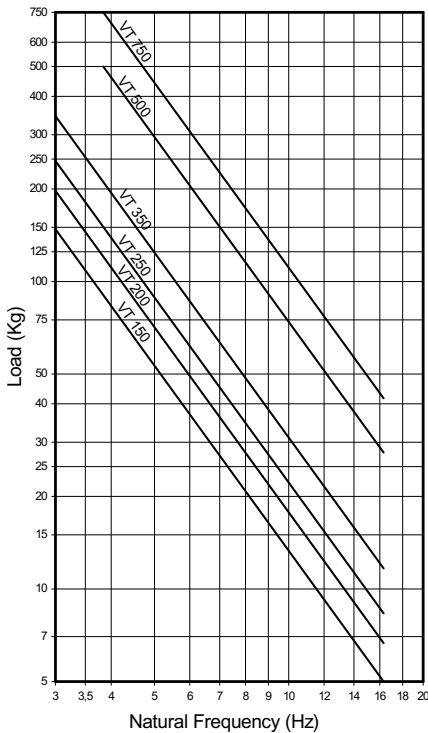
**NATURAL FREQUENCY CURVES  
VT 8 - VT 150R HANGERS**



**LOAD DEFLECTION CURVES  
VT 8 - VT 150R HANGERS**



**NATURAL FREQUENCY CURVES  
VT 150 - VT 750 HANGERS**



**LOAD DEFLECTION CURVES  
VT 150 - VT 750 HANGERS**

