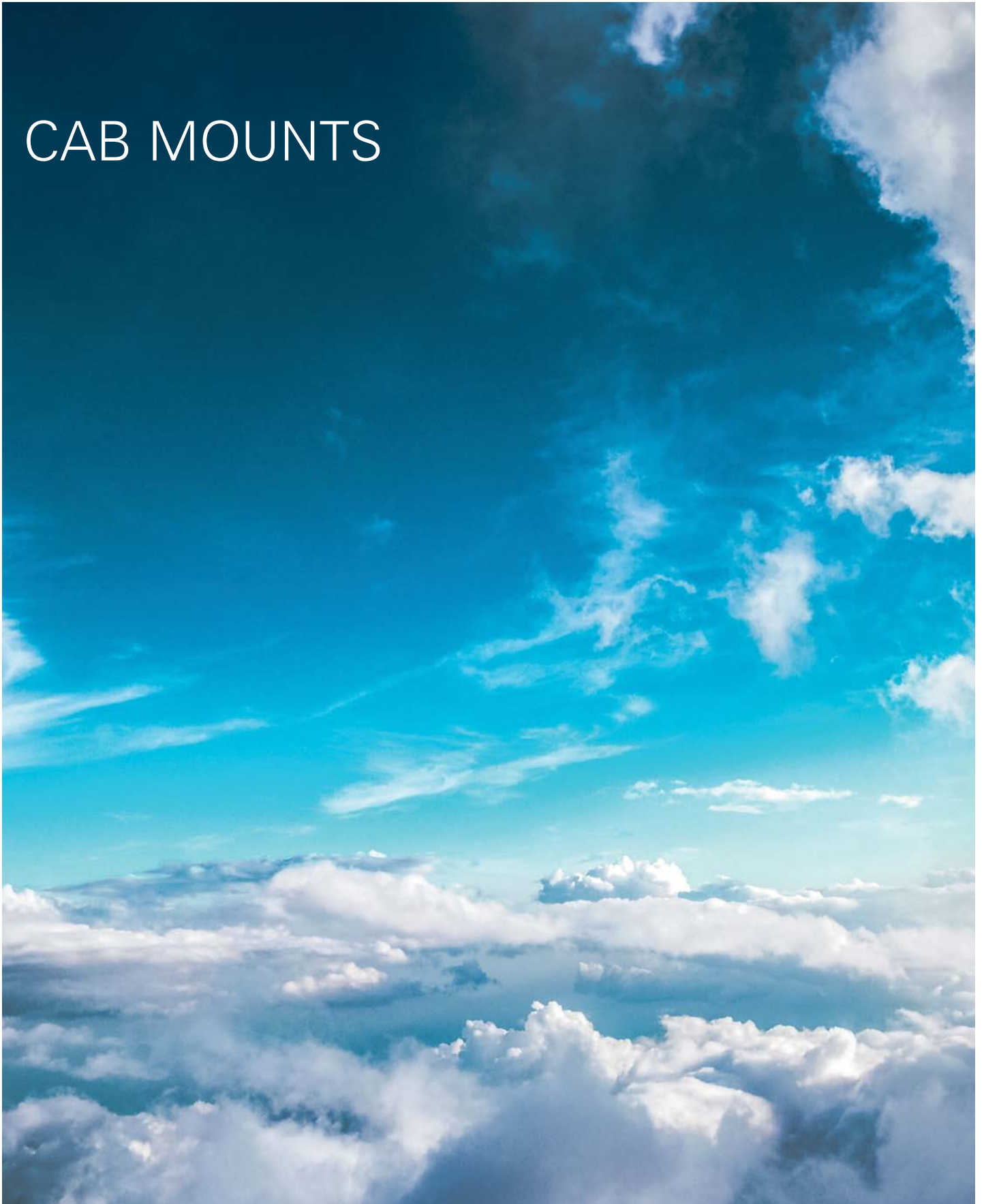


OFF HIGHWAY

CAB MOUNTS



Cab Mounts

DESCRIPTION

The cabin mount is composed of two main metal parts. Both metal parts are bonded to a high resilient rubber for optimum vibration isolation.

Technical Characteristics

- This mount incorporates two bump shaped profiles in order to absorb dynamic loads or shocks. This feature is specially interesting for restricting the motion of the cabin under transient shocks.
- The metal parts are corrosion protected to cope with arduous environments on land or marine applications. RoHs compliant.
- The cabin mount can be manufactured in other different rubber compounds in order to be suitable for different weight of cabins.
- Our technical department can give the correct recommendation in order

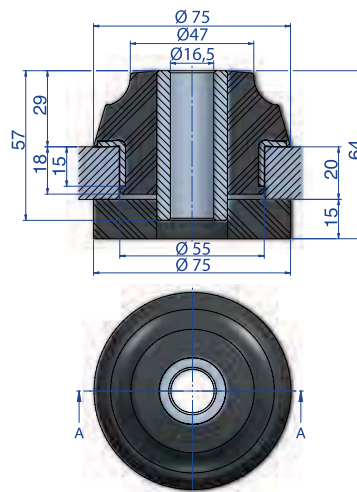
Applications

For the effective isolation of vibration and noise on cabins for the following purposes:

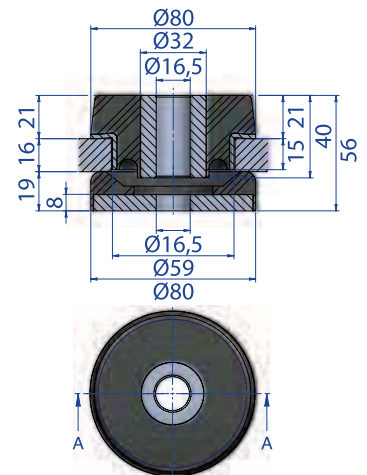
- Agricultural Tractors.
- Construction equipment machinery
- Off road vehicles.



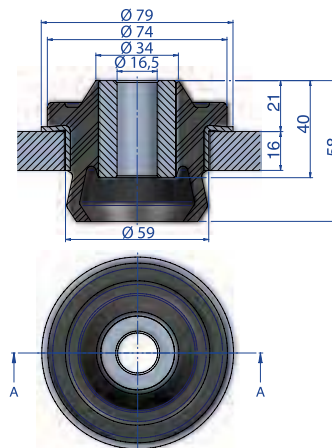
CABINE MOUNT 75 +
Anti-rebound Washer



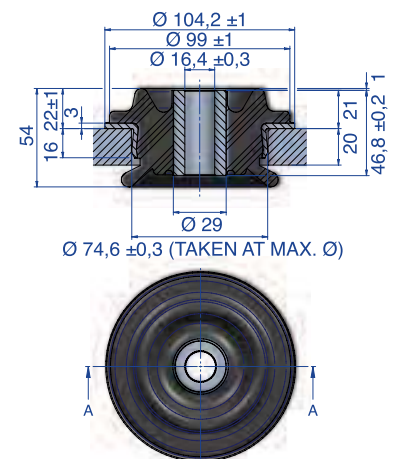
CABINE MOUNT 80 +
Anti-rebound Washer



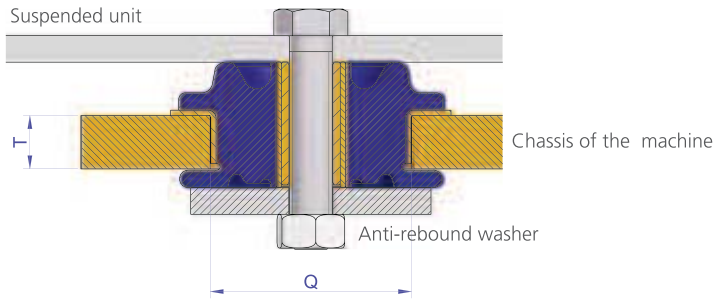
CABINE MOUNT 85



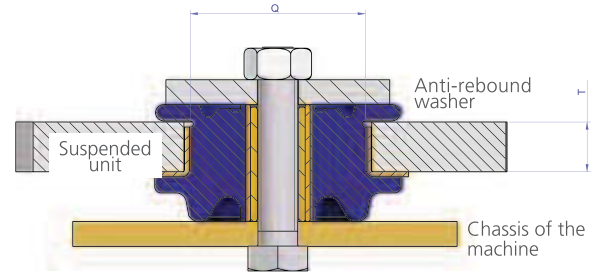
85 CABINE MOUNT 105



- Assembly 1



- Assembly 2



Type	Q (mm)	T (mm)	Weight (gr.)	Code	Load (kg)	Ø	Shore
Cabin Mount 75	55,5	20	328	137371	140	16	45 Sh
				137372	220	16	60 Sh
				137373	140	20	45 Sh
				137374	220	20	60 Sh
Cabin Mount 80	60	16	616	137353	200	16	50 Sh
				137354	300	16	60 Sh
				137351	200	20	50 Sh
				137352	300	20	60 Sh
Cabin Mount 85	60	16	300	137322	75	16	45 Sh
				137323	150	16	60 Sh
				137313	75	20	45 Sh
				137311	150	20	60 Sh
Cabin Mount 105	75	20	600	137301	190	16	45 Sh
				137318	250	16	50 Sh
				137315	350	16	60 sh
				137302	190	20	45 Sh
				137320	250	20	50 Sh
				137319	350	20	60 sh

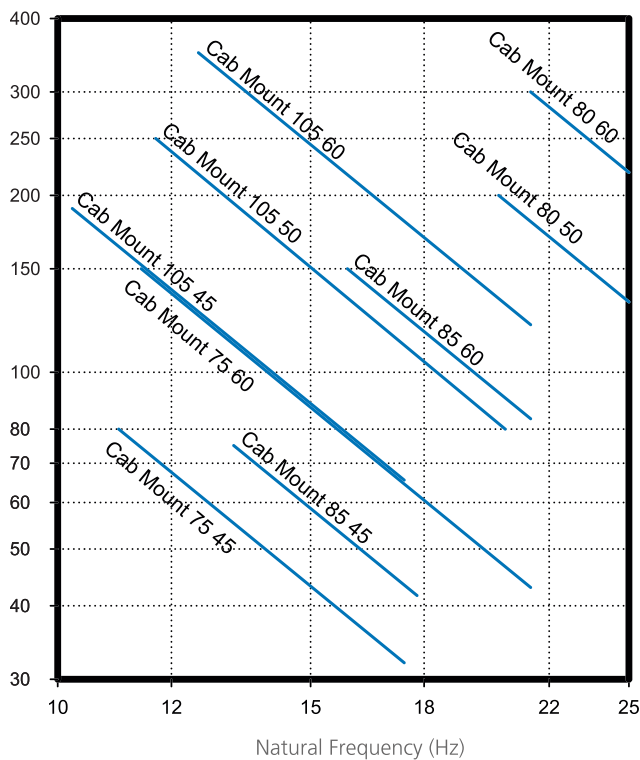
COMPRESSION LIMITER WASHER	Type	Code	Ø	Weight (gr.)	Øext (mm)	Øint (mm)	Thickness (mm)
	Cabine Mount 75 washer	608074	16	175	76	16,5	5
		610027	20	175	76	20,5	5
	Cabine Mount 80 washer	606482	16	237	90	18	5
		606486	20	237	90	18	5
	Cabine Mount 85 washer	606482	16	237	90	18	5
		606486	20	237	90	20,5	5
	Cabine Mount 105 washer	611167	16	325	110	16,5	5
		606487	20	325	110	20,5	5

ANTI-REBOUND WASHER

This washer is mandatory to be a Fail-Safe System. The thickness of the washer depends on the application. Please contact us, if you have any question. The Cab mounts 75 and 80 include an anti rebound washer.

Washers should be used, if the rubber surface is not covered with the contact surface. Washers upon request.

Natural Frequency Cabine Mount



Load Deflection Graph Type Cabine Mount

