

# INDUSTRIAL

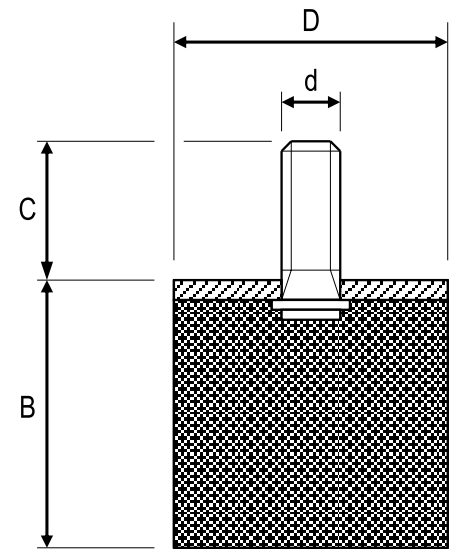
## FOOT & CONICAL TYPE MOUNTS



# Foot & Conical Type Mounts

Selection Table

Vibrex Part No.	D (mm)	B (mm)	C (mm)	d (mm)	Load (kg)	Deflection (mm)
VA1121	12.5	15	13	M5	10	3
VA1251-60	25.2	22	20	M8	50	5.5
VA1251-70	25	22	19	M8	60	2.5
VA1301	30	15	20	M8	90	3
VA1302	30	30	20	M8	70	8
VA1303	30	25	20	M8	75	6.5
VA1401	40	28	25	M10	150	6
VA1501	50	20	25	M10	300	5
VA1502	50	40	37	M10	210	10
VA1531	53	30	37	M10	120	4
VA1601	60	25	25	M10	400	6
VA1731	73	27	20	M10	650	7
VA1751	75	40	38	M12	500	9
VA1801	80	25	37	M12	950	7
VA1802	80	65	37	M12	500	13

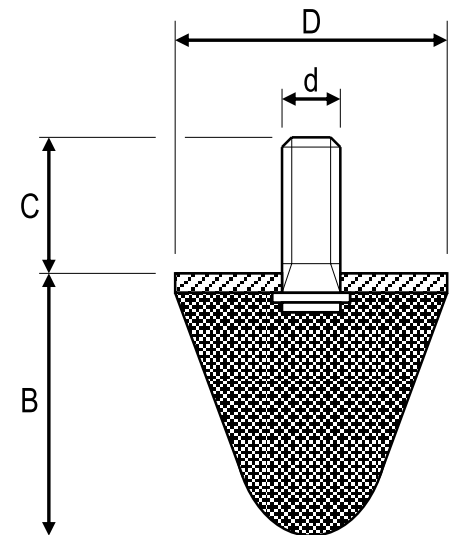


Parallel Sides – Footmount

Note: Stud length may vary by not more than  $\pm 2$  mm due to commercial availability of studs and washers.

Conical type (Buffer)

Vibrex Part No.	D (mm)	B (mm)	C (mm)	d (mm)	Load (kg)	Deflection (mm)
VC1255-60	25.5	20	20	M8	100	8
VC1255-70	25.5	20	20	M8	130	7
VC1305	30	30	15	M6	140	15
VC1505	50	65	28	M8	370	32
VC1705	70	80	33	M12	200	25
VC1725	72	55.5	37	M12	550	26
VC1955	95	80	36	M12	1100	37



Conical

Note: Stud length may vary by not more than  $\pm 2$  mm due to commercial availability of studs and washers.