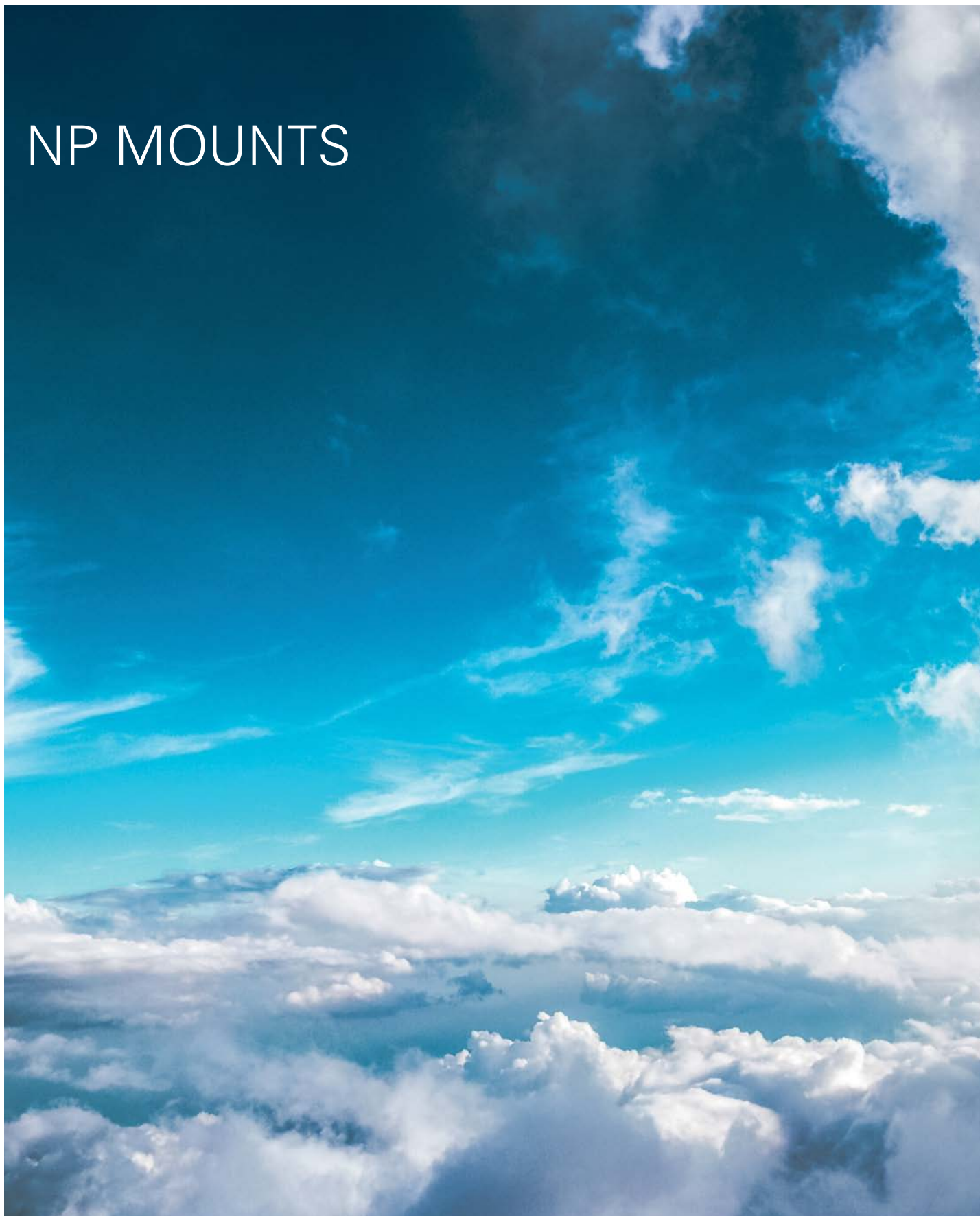


OFF HIGHWAY

NP MOUNTS



NP Mounts

DESCRIPTION

The NP mounts are composed of a metallic flange and a bush that are bonded to a high resilient rubber compound.

The NP mounts can be fitted with overload/ rebound washers. This allows fail-safe installations. For this purpose we recommend using washer Ref. AMC: 608074 that has the following dimensions: 76 x 16.5 x 5mm. The flange comes with four fixing holes and the inner bush allows up to 120 N/mm tightening torque.

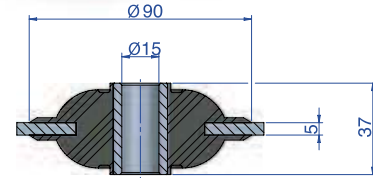
Technical Characteristics

NP mounts can be applied in mobile applications when installed with overload/rebound washers. NP mounts are available in several rubber hardnesses to suit the load range of the application.

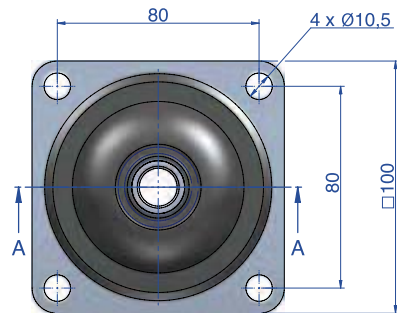
Applications

NP mounts are used for the effective noise and vibration isolation in the following applications:

- Agricultural equipment
- Construction equipment machinery.
- Cranes.
- Forklift trucks.
- Multipurpose vehicles.

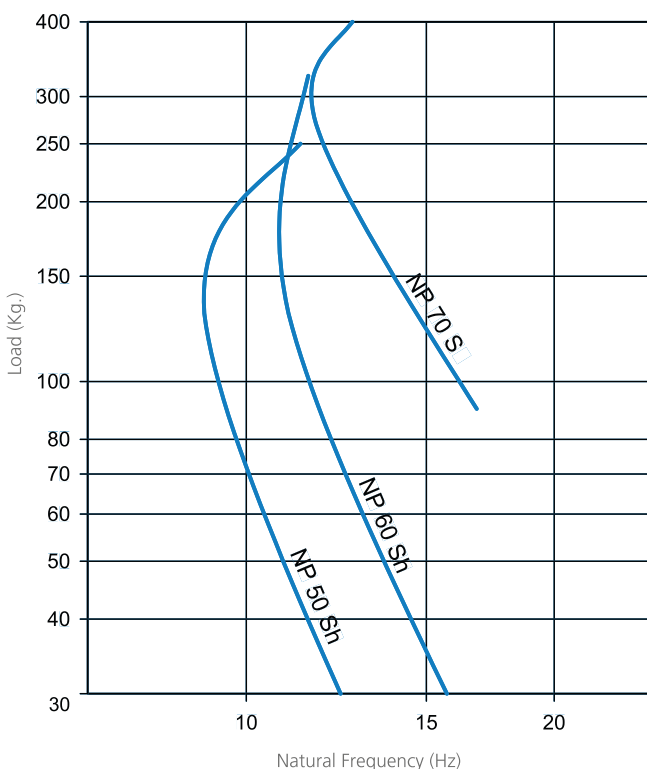


SECTION A-A



Type	Weight (gr.)	Max. Load (kg)	Code
50 Sh	437	250	138202
60 Sh	437	325	138201
70 Sh	437	400	138203

Natural Frequency Cabine Mount



Load Deflection Graph Type Cabine Mount

