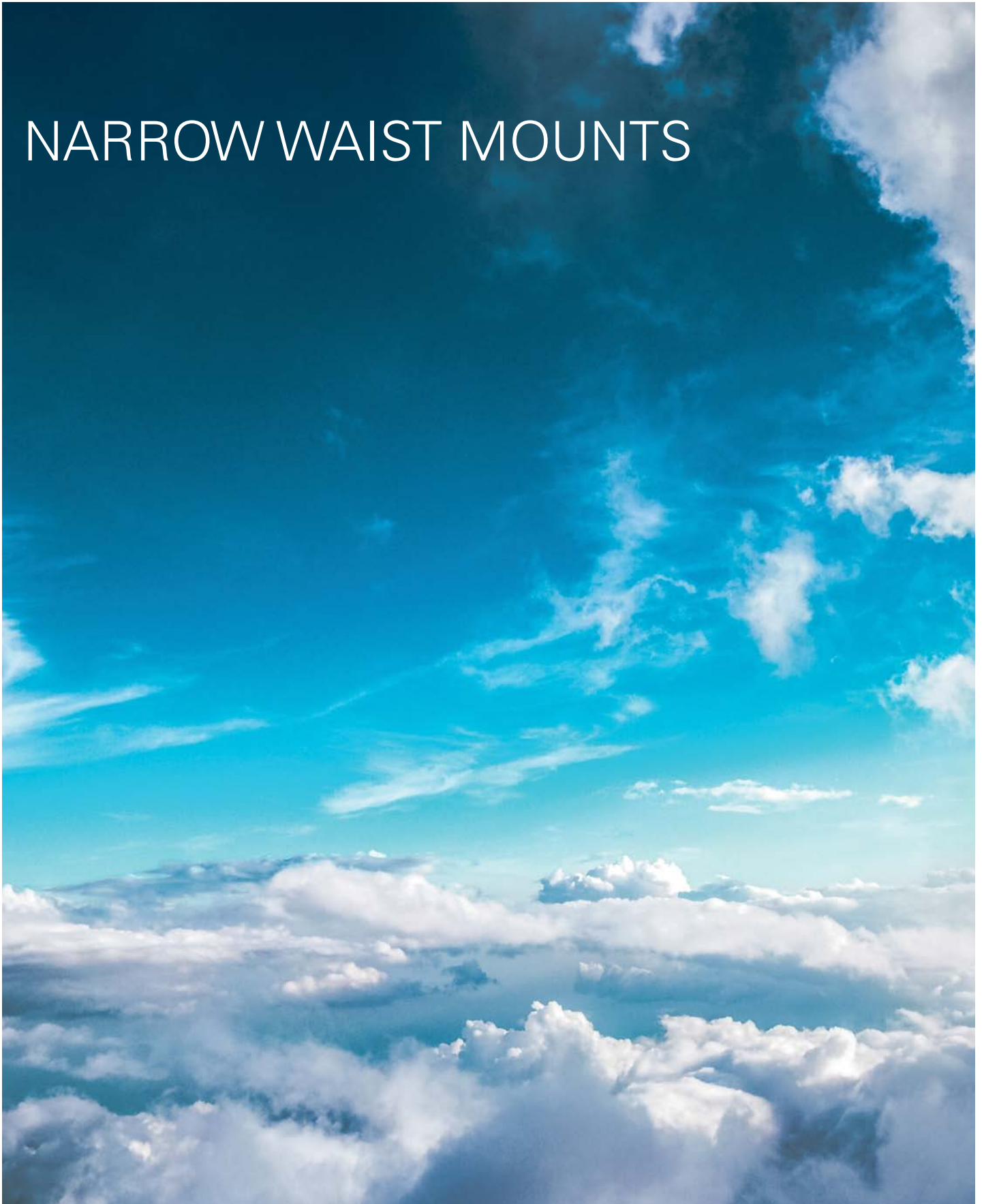


INDUSTRIAL

NARROW WAIST MOUNTS

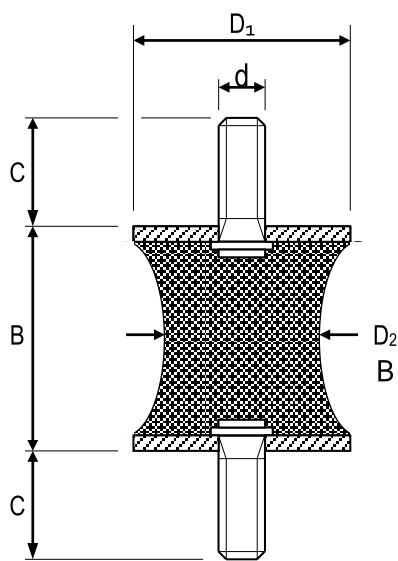


Type Narrow Waist Circular Mounts

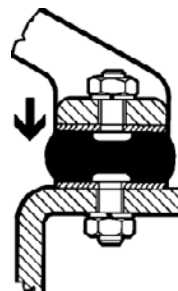
Dimensions, Load and Deflection

Vibrex Part No.	D (mm)	B (mm)	C (mm)	d (mm)	Compression		Shear	
					Load (kg)	Deflection (mm)	Load (kg)	Deflection (mm)
VG2203	21/13	18	20	M6	12	2.5	3	5
VG2323	32/23	21	23	M8	40	5	4	4.5
VG2403	40/20	23	27	M10	30	5	2.5	4.5
VG2573	57/25	43	23	M8	40	4	7	5
VG2574	57/35	42	22	M8	50	6	9	6
VG2603	60/49	60	22	M10	150	8	30	10
VG2803	80/70	70	46	M14	300	9.5	55	9.8

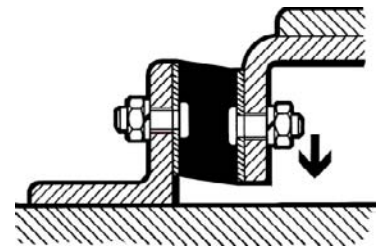
Note: Stud length may vary by not more than ± 2 mm due to commercial availability of studs and washers.



Narrow Waist Type



Compression



Shear