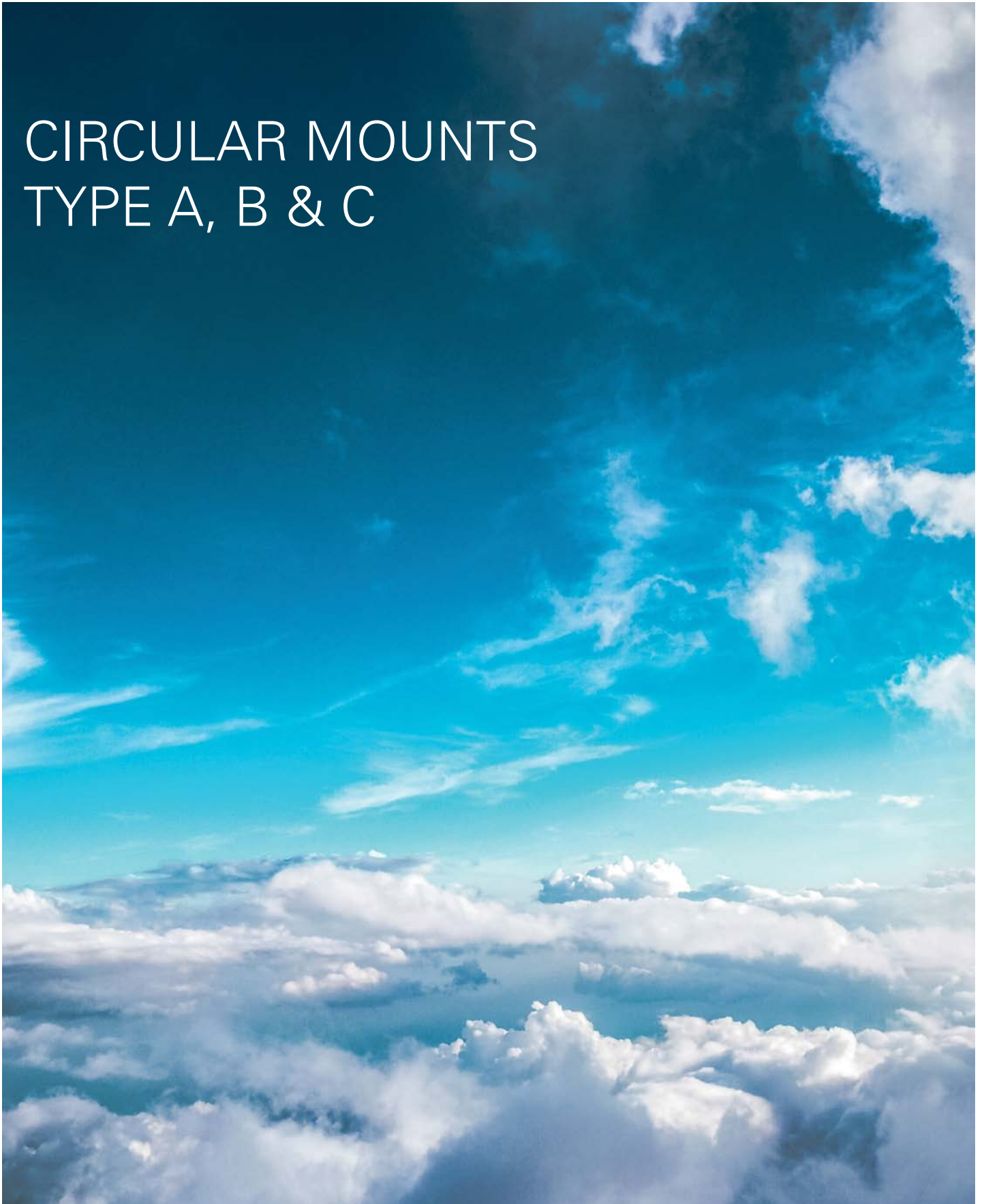


INDUSTRIAL

CIRCULAR MOUNTS TYPE A, B & C

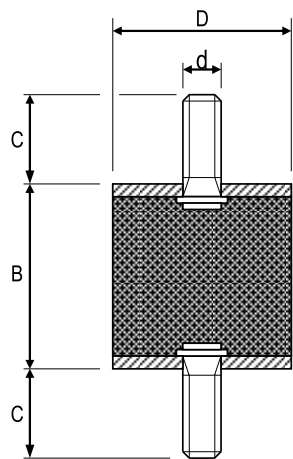


Type A Circular Mounts

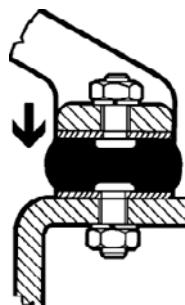
Dimensions, Load and Deflection

| Vibrex Part No. | D (mm) | B (mm) | C (mm) | d (mm) | Compression | | Shear | |
|-----------------|--------|--------|--------|--------|-------------|-----------------|-----------|-----------------|
| | | | | | Load (kg) | Deflection (mm) | Load (kg) | Deflection (mm) |
| VD2101 | 10 | 10 | 10 | M4 | 8 | 1.5 | 3 | 3 |
| VD2121 | 12.5 | 15 | 13 | M5 | 10 | 3 | 1.5 | 2 |
| VD2151 | 16 | 15 | 12 | M5 | 20 | 3 | 2.5 | 2 |
| VD2201 | 20 | 20 | 16.5 | M6 | 30 | 5 | 5 | 3.5 |
| VD2202 | 20 | 25 | 16.5 | M6 | 30 | 5.5 | 4.5 | 4.5 |
| VD2251 | 25.5 | 22 | 20 | M8 | 50 | 5.5 | 8 | 4 |
| VD2252 | 25 | 20 | 18 | M6 | 55 | 4.5 | 8 | 3.5 |
| VD2253 | 25.5 | 30 | 18 | M6 | 50 | 8 | 8 | 6 |
| VD2300 | 30 | 15 | 20 | M8 | 90 | 3 | 11 | 2.5 |
| VD2301 | 30 | 22 | 20 | M8 | 80 | 5 | 11 | 4 |
| VD2302 | 30 | 30 | 20 | M8 | 70 | 8 | 11 | 6 |
| VD2400 | 40 | 28 | 47 | M10 | 150 | 6 | 20 | 5.5 |
| VD2401 | 40 | 28 | 25 | M10 | 150 | 6 | 20 | 5.5 |
| VD2402 | 40 | 30 | 20 | M8 | 150 | 6 | 30 | 5.5 |
| VD2501 | 50 | 30 | 25 | M10 | 275 | 7 | 25 | 6.5 |
| VD2502 | 50 | 40 | 25 | M10 | 210 | 10 | 25 | 8 |
| VD2581 | 58 | 50 | 22 | M10 | 200 | 12 | 30 | 10 |
| VD2601 | 60 | 25 | 25 | M10 | 400 | 6 | 30 | 4.5 |
| VD2602 | 60 | 36 | 23 | M10 | 300 | 9 | 30 | 7 |
| VD2651 | 65 | 34 | 23 | M10 | 430 | 7 | 35 | 6.5 |
| VD2741 | 74 | 50 | 37 | M12 | 430 | 10 | 37 | 11 |
| VD2751 | 75 | 40 | 30 | M12 | 500 | 9 | 37 | 7 |
| VD21002 | 95 | 55 | 45 | M16 | 1000 | 11 | 60 | 8 |
| VD21003 | 100 | 70 | 60 | M16 | 700 | 13 | 60 | 14 |
| VD21004 | 100 | 60 | 50 | M16 | 800 | 12 | 60 | 10 |

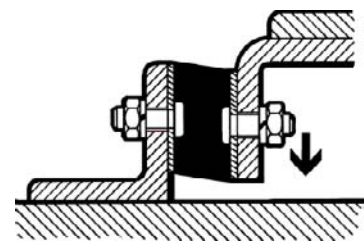
Note: Stud length may vary by not more than ± 2 mm due to commercial availability of studs and washers



Parallel Sides – Type A



Compression



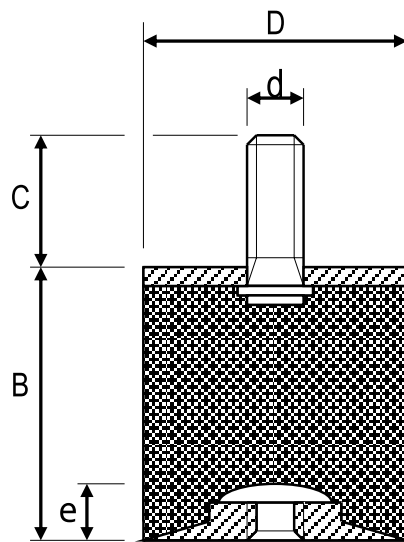
Shear

Type B & C Circular Mounts

Dimensions, Load and Deflection

| Vibrex Part No. | D (mm) | B (mm) | C (mm) | d (mm) | e (mm) | Compression | | Shear | |
|-----------------|--------|--------|--------|--------|--------|-------------|-----------------|-----------|-----------------|
| | | | | | | Load (kg) | Deflection (mm) | Load (kg) | Deflection (mm) |
| VE2205 | 20 | 20 | 16.5 | M6 | 6 | 30 | 5 | 5 | 3.5 |
| VE2255 | 25.5 | 25 | 18 | M6 | 6 | 50 | 6 | 8 | 4.5 |
| VE2305 | 30 | 22 | 20 | M8 | 8 | 80 | 5 | 11 | 4 |
| VE2306 | 30 | 30 | 20 | M8 | 8 | 70 | 8 | 11 | 6 |
| VE2405 | 40 | 30 | 20 | M8 | 10 | 150 | 6 | 30 | 5.5 |
| VE2505 | 50 | 30 | 25 | M10 | 10 | 275 | 7 | 25 | 6.5 |
| VE2506 | 50 | 50 | 25 | M10 | 10 | 170 | 11 | 25 | 10.5 |
| VE2605 | 60 | 60 | 25 | M10 | 10 | 200 | 12 | 30 | 10 |
| VE2745 | 74 | 50 | 37 | M12 | 12 | 500 | 10 | 37 | 9 |
| VE2756 | 75 | 40 | 37 | M12 | 12 | 500 | 9 | 37 | 7 |
| VE21005 | 95 | 40 | 45 | M16 | 16 | 1200 | 8 | 60 | 7 |
| VE21006 | 100 | 60 | 35 | M16 | 16 | 800 | 12 | 60 | 10 |

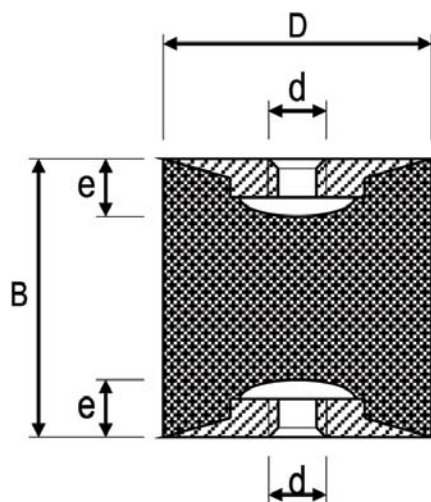
Note: Stud length may vary by not more than ± 2 mm due to commercial availability of studs and washers.



Parallel Sides – Type B

Dimensions, Load and Deflection

| Vibrex Part No. | D (mm) | B (mm) | C (mm) | d (mm) | Compression | | Shear | |
|-----------------|--------|--------|--------|--------|-------------|-----------------|-----------|-----------------|
| | | | | | Load (kg) | Deflection (mm) | Load (kg) | Deflection (mm) |
| VF2207 | 20 | 25 | 6 | M6 | 30 | 5.5 | 4.5 | 4.5 |
| VF2257 | 25.5 | 20 | 6 | M6 | 55 | 4.5 | 8 | 3.5 |
| VF2307 | 30 | 30 | 8 | M8 | 70 | 8 | 11 | 6 |
| VF2327 | 32 | 21 | 10 | M8 | 80 | 5 | 11 | 4 |
| VF2407 | 40 | 40 | 8 | M8 | 120 | 10 | 20 | 7.5 |
| VF2408 | 40 | 30 | 8 | M8 | 150 | 6 | 30 | 5.5 |
| VF2507 | 50 | 50 | 10 | M10 | 170 | 11 | 25 | 10.5 |
| VF2757 | 75 | 48 | 12 | M12 | 500 | 10 | 37 | 9 |
| VF21007 | 105 | 50 | 16 | M16 | 1200 | 9 | 80 | 9 |



Parallel Sides – Type C