

# INDUSTRIAL

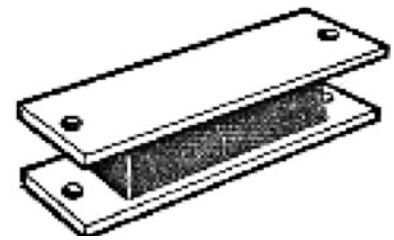
## SANDWICH MOUNTS



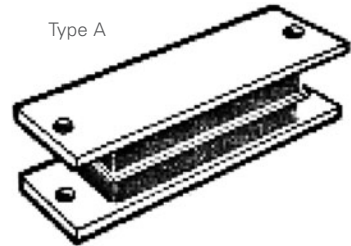
# Type A, B & C Sandwich Mounts

Selection Table

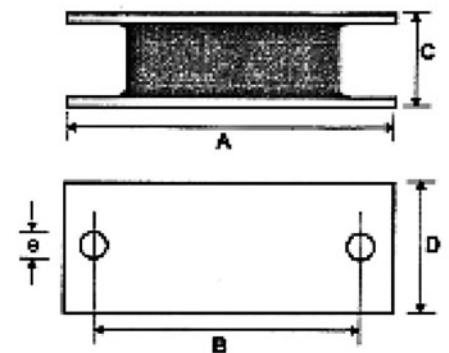
Type	Part No	Type of Loading	Load (kg)	Vertical Deflection (mm)
A	VH4001A (Green)	Compression	225	4.5
		45°	150	5
		Shear	30	6
A	VH4001C (White)	Compression	360	4.0
		45°	250	4.5
		Shear	50	5
B	VH4002	Compression	530	3.5
		45°	350	4.5
		Shear	60	5
B	VH4011	Compression	450	4
		45°	370	6
B	VH4043	Compression	860	3.5
		45°	600	4.5
C	VH4024	Compression	160	2.5
		45°	145	4
C	VH4053	Compression	150	3.5
		45°	130	5
C	VH4053	Shear	55	6.5



Type A

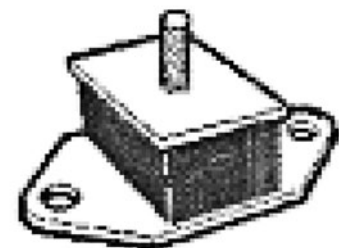


Type B



Type A & B Dimensions in mm

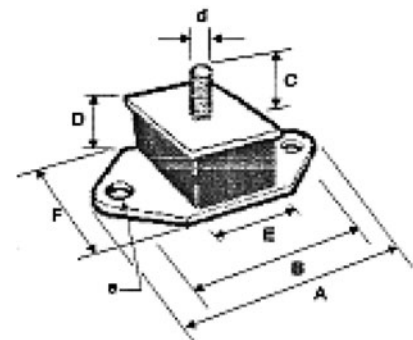
Vibrex Part No	A	B	C	D	e
VH4001	152	130	42	50	10.5
VH4002	125	117	44	52	10.5
VH4011	107	85	46	57	10.5
VH4043	169	146	42	56	10.5



Type C

Type C Dimensions in mm

Vibrex Part No	A	B	C	D	E	F	d	g
VH4024	81	61	18	25.5	38	54	M8	9.8
VH4053	106	86	32	35	50	70	M10	8.5



Type C 4024 & 4053