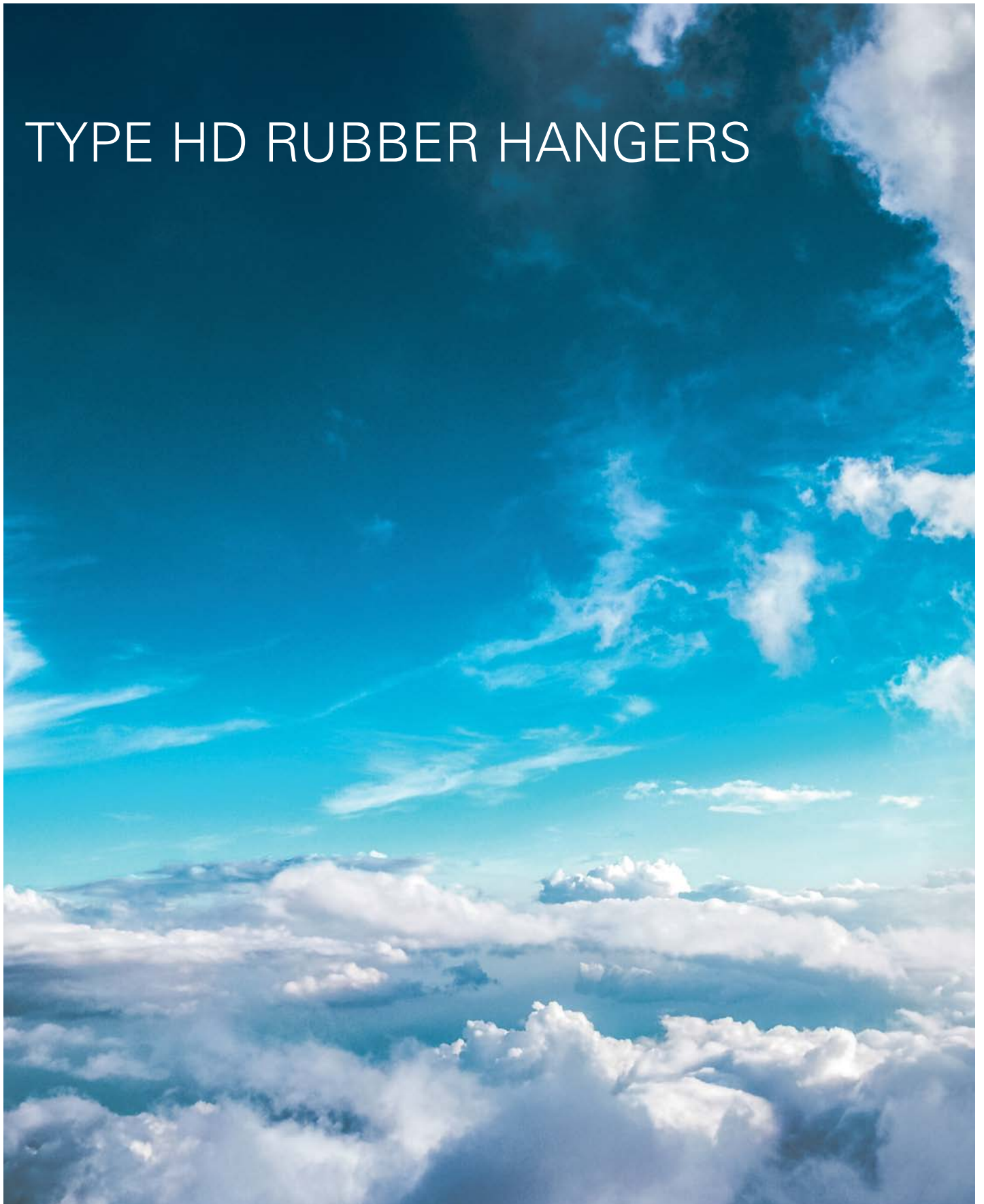


TYPE HD RUBBER HANGERS

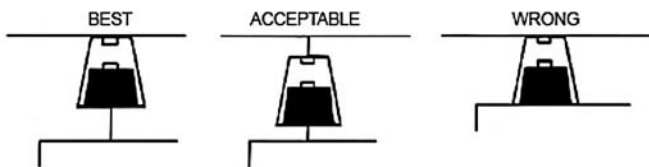
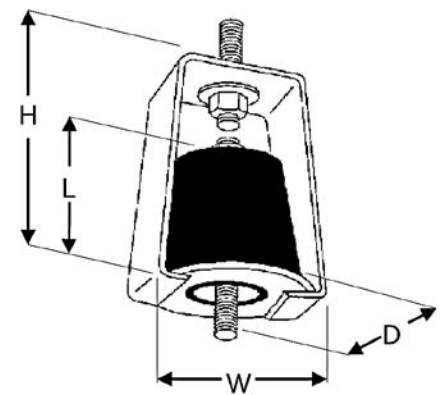


Type HD Rubber Hangers

Type	Colour	Load Range (kg)	Deflection (mm)
HDA	Green Red	20 – 35 35 – 70	6
HDB	Red Yellow	90 – 180 140 – 270	8
HDC	White Yellow	200 – 375 350 – 700	10
HDD	Yellow	600 -1150	10

Dimensions in mm

Type & Size	H (mm)	W (mm)	D (mm)	L (mm)	Max Rod Dia
HDA	72	56	50	55	M10
HDB	115	108	50	75	M12
IMB	115	108	50	75	M12
HDD	159	121	65	90	M20



Install hangers with a gap on the underside. This allows the isolators to operate efficiently. The gaps also compensate for minor misalignment. Direct contact of the unit and hanger box "short circuits" the isolation.