

TYPE HS SPRING HANGERS



Type HS Spring Hangers

Type	Size	Rated Capacity (kg)	Rated Deflection (mm)	Spring Rate (kg/mm)	Spring Colour
HSA	12	5	25	0.2	Red
	25	11	25	0.44	Orange
	45	20	40	0.5	Blue
	75	34	38	0.9	Orange
	125	56	33	1.7	Red
	200	90	29	3.1	Black
	310	150	25	6.1	Yellow
HSB	60	27	54	0.5	Grey
	140	64	49	1.3	Orange
	280	128	40	3.2	Green
	450	207	33	6.3	Red
	750	340	30	11.3	White
	1000	450	25	18.0	Blue
HSC	225	100	45	2.2	Orange
	435	200	39	5.1	Grey
	735	320	35	9.2	White
	1000	445	26	17.2	Black
HSC	1350	615	25	24.6	Yellow
	1675	765	25	30.6	Yellow ¹
	2100	950	25	38.0	Yellow ²

All hangers can be tagged for identification, if specified

1. with grey inner spring
2. with red inner spring

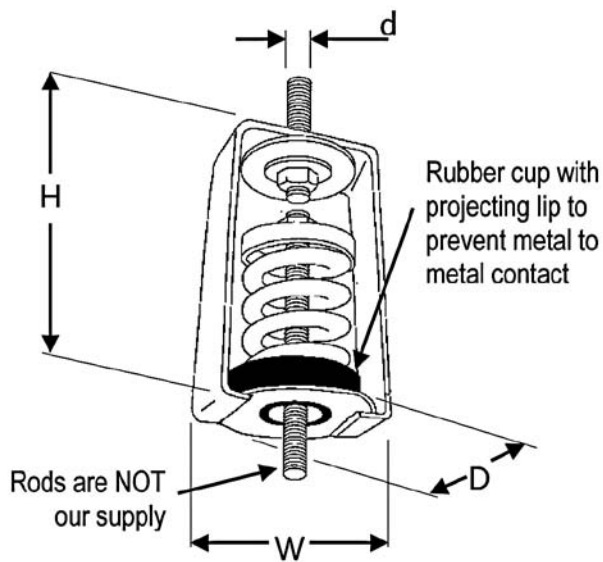
LR = Allowance for length of lower rod above base of hanger – our supply only with PCHS

d = Rod diameter. First size shown is standard. Sizes in brackets are optional. Standard size will be supplied unless optional is specified.

RE = Rod extension – base of hanger to centre off rod coupling – our supply

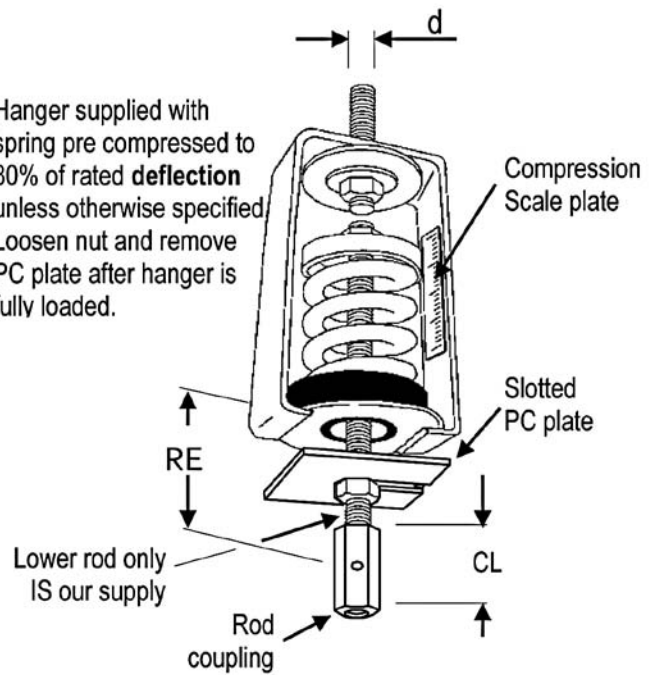
CL = Length of rod coupling – our supply. HSD or PCHSD (2 springs) and HSE or PCHSE (4 springs) can be supplied for capacities up to 3800 kg. Dimensions are not published because they can be changed to meet the customer's particular requirements.

Pre-compression equipment comprises of slotted PC plate, threaded rod, top nut and lock nut, bottom nut, rod coupling and scale plate.



Type HS

Hanger supplied with spring pre compressed to 80% of rated deflection unless otherwise specified. Loosen nut and remove PC plate after hanger is fully loaded.



Type PCHS

Dimensions in mm

HSA	Size	H	W	D	LR	d	PCHS only	
							RE	CL
HSA	12 - 25	100	85	50	75	M10	110	45
	45 - 310	130	83	50	100	M10	105	45
HSB	60 - 450	180	120	50	135	M12 (M16)	110	45 (50)
HSB	750 - 1000	180	120	50	135	M16 (M12)	110	50 (45)
HSC	225 435	190	135	65	135	M12 (M16)	110	45 (50)
HSC	735 - 1000	190	135	65	135	M16 (12)	110	50 (45)
HSC	1350	190	135	65	140	M20	120	50
HSC	1675 - 2100	190	135	65	145	M20	120	50