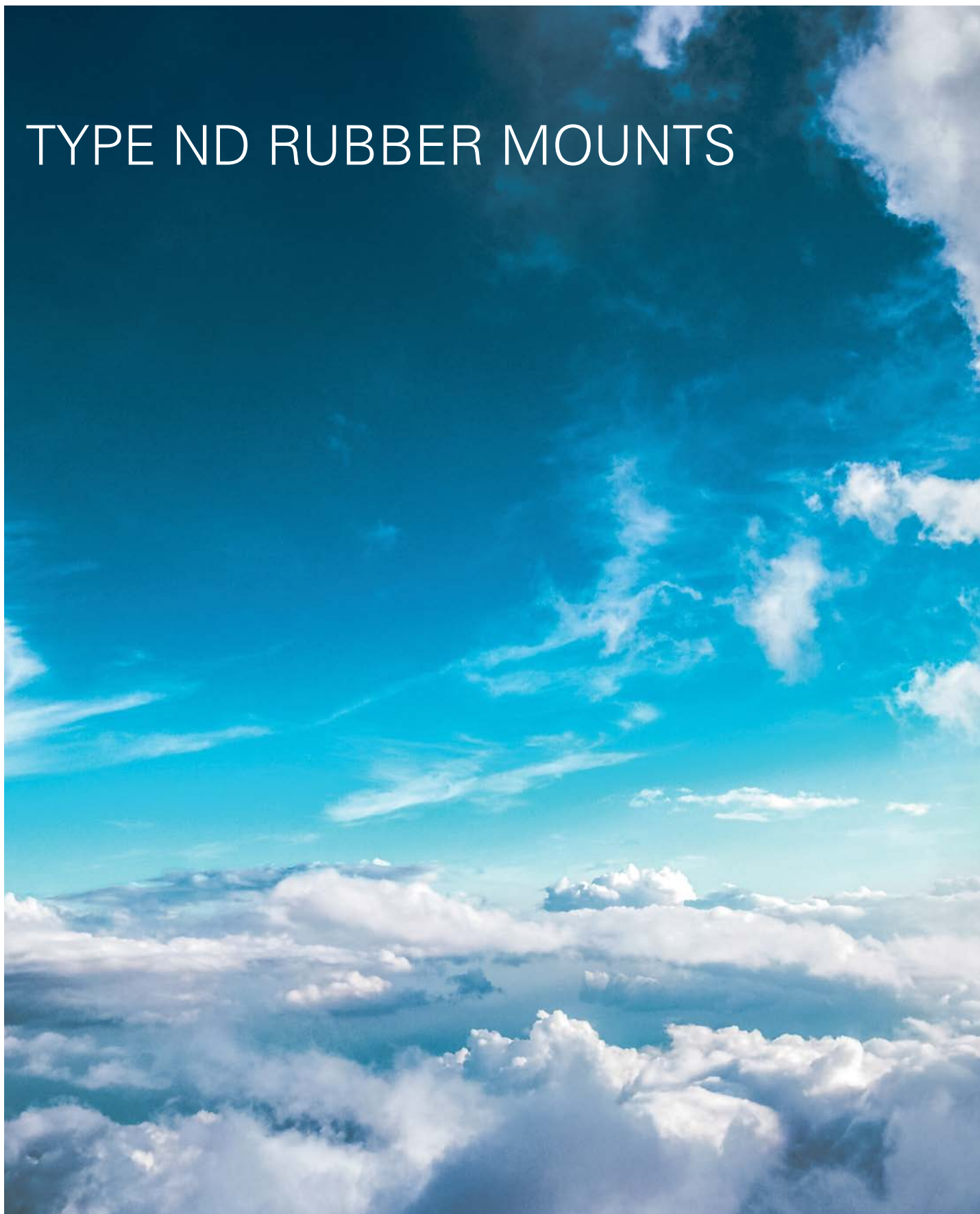


## TYPE ND RUBBER MOUNTS



# Type ND Rubber Mounts

Type ND mounts are one-piece mouldings with metal parts completely covered by rubber for corrosion protection. The tops and bases have a ribbed pattern to improve grip. Set screws and washers are supplied for bolting to the equipment. Although bolt holes are provided in case they are required for safety, in practice bolting to the floor is not necessary.

For applications that do not require the extra deflection of steel springs, Type ND Rubber Mounts are efficient, inexpensive and easy to install.

## LOAD & DEFLECTION

The simple design loads the rubber both in shear and compression to produce a straight line load – deflection curve. Although designed for high static deflection Type ND mounts are conservatively rated to prevent overloading.

### Mounts Key Notes ND

- All mounts are double deflection
- Offer more than three times the deflection of pads
- Prevent noise and high frequency

- Isolate a wide range of equipment
- Supplied with cap screw and washer
- Bottom friction surface makes bolting unnecessary in most installations
- Stocked in natural rubber
- Conservatively rated to prevent overloading
- Can also supply in chloroprene (Neoprene) for superior oil resistance.

### Markets

- Air conditioning
- Industrial

### Applications

- Fans
- Pumps
- Compressors
- Stationary Gen Sets
- Chillers
- Aircon units
- Motors

### Material

Most sizes are stocked in natural rubber for superior dynamic properties, except type NDE which is stocked in neoprene (chloroprene) for better oil resistance.

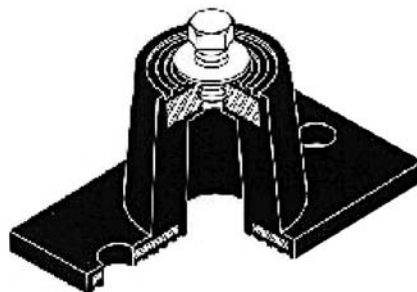
The natural rubber grades used are compounded with additives to enhance resistance to oxidation, ozone and sunlight.

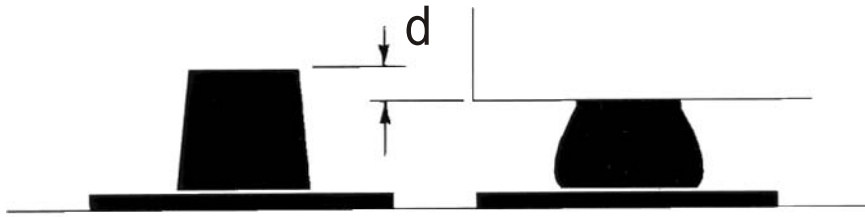
They are not recommended for mobile, trailer-mounted or marine applications. They are efficient when loaded vertically in compression, but are not designed to be heavily loaded laterally.

Type ND mounts can also be used (without the set screw) under flat-based machines in the same way as rubber pads. They will be more efficient than pads and the extra ground clearance may be convenient.

ND mounts can also be used upside down by bolting the flat base of the mount to the equipment.

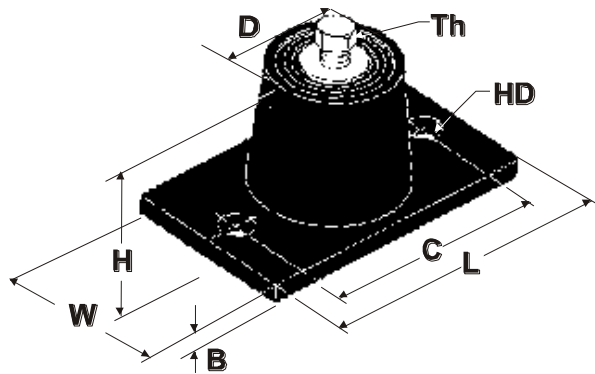
Type ND mounts are manufactured locally by ARNOT Vibration Solutions.





Selection Table

Size	Hardness (Shore - Colour)	Load Range (kg)	Max Deflection – d (mm)
NDA	40 – green	20 – 35	5
	50 – red	30 – 50	
NDB	40 – green	50 – 100	7
	60 – white	80 – 150	
NDC	40 – green	70 – 125	10
	50 – red	110 – 225	
	70 – yellow	200 – 375	
NDD	50 – red	300 – 475	10
	70 – yellow	400 – 750	
NDE	70 – yellow	750 – 1500	10



Dimensions in mm

Size	Length	Width	Height	Top Diameter	Thread Size	Base Thickness	Bolt Centres	Hole Diameter
	L	W	H	D	Th	C	C	HD
NDA	80	43	35	30	M8	4	59	10.5
NDB	92	58	45	45	M10	5	76	10.5
NDC	140	83	70	65	M12	6	104	14
NDD	158	100	70	88	M12	7	128	14
NDE	186	130	70	115	M12	8	155	14